



MANUAL OF
DIRECTION, SETUP
AND WARRANTY CERTIFICATE

ELECTRIC TOWEL RAILS
ELECTRIC FOOTWEAR MANUFACTURERS
HEATING RADIATOR UNIT

Before installing this product, it is essential to read this manual thoroughly and adhere to the instructions provided, as they will assist the user in achieving optimal performance and ensuring the warranty of the product.

Benefits

You have recently acquired a premium SECCARE product that will ensure your comfort and satisfaction by providing dry bath towels throughout the year.

SECCARE towel rails maintain a consistent temperature. This provides users with enhanced safety, as the heating will not reach excessive levels, thereby preventing burns or damage to the towels in use.

Installation Guide

WARNING: To mitigate risks to very young children, this appliance must be installed with the lower heating bar positioned at least 60 cm above the floor.

The towel rail should be installed in a manner that prevents a person in the bath or shower from reaching the switch and other controls.

NOTE: To guarantee total disconnection of the power supply, a disconnection device that separates contacts at all poles must be included in the fixed installation.

IMPORTANT: Dritto Bivolt Electric Towel Rail, verify the voltage on the selector switch prior to powering it on.

- Verify that all items listed are included in the packaging (refer to figure 01): (1 SECCARE towel rail, 4 supports, 4 screws, and 4 plastic plugs). For models that include fixed supports from the factory, (refer to figure 02): (1 SECCARE towel rail, 2 screws, and 2 plastic plugs). (This does not apply to DiBase).
- You will also require a drill, a 6mm drill bit, and a Philips screwdriver. (4 pair and 6 pair shoe dryers utilize an 8mm drill bit);
- Install the towel rack at a height on the wall that facilitates easy access to towels, ensuring it complements the surroundings and is positioned near an electrical outlet.
- Carefully verify that there are no electrical or hydraulic pipes in the area where the towel rail will be installed. Drilling into any of these pipes may lead to significant issues. Consider the placement of the fixing, particularly with regard to the dimensions and weight of each towel rail.
- For optimal performance, it is essential to install the Towel Rail with the electrical cable directed downwards on the left side (see figure 01). (This does not apply to the Heating Radiator);
- Refer to (table A, table B, or table C) to find the model of your SECCARE towel rail and utilize the specified values to measure the wall drilling. (table A for adapter) is applicable to models provided with an adapter;
- Secure the brackets to the wall with the supplied plastic plugs and screws.
- Attach the SECCARE Towel Rail to the supports according to (figure 03);
- Using a Philips screwdriver, secure the screws on the supports to ensure the towel rail is stable (figure 04);
- ☑ Lastly, take off the foam protectors from the ends of the device..

Towel Rack with Adjustable Support

- The Mobile Support accessory is compatible exclusively with the following models: Esatto, Ondata, Piazza, Quadratto, and Requite. In this scenario, the consumer will acquire two components: the Towel Rail and the mobile support (figure 05). Please note that all models, with the exception of DiBase, offer the option for wall installation.

To properly install the Towel Rail on the mobile support:

- The cable should always be routed downwards; first, insert the cable into the Mobile Support socket (figure 05). Once the cable is in place, connect it to the power supply and enjoy your comfort.

Towel Racks with Adapter

1. In the packaging, the adapters are oriented inwards (figure 06). After taking the Towel Rail out of the packaging, loosen the screw that holds the adapter in place and gently remove it from the transport position. Rotate it to the position indicated in (figure 07), insert it fully, and then retighten the screw.

NOTE: The “hole” in (figure 06) is not relevant to the adapter; it is solely intended for securing the cover.

1. Position the Towel Rail at the chosen installation site (according to the guidelines in the HOW TO INSTALL section), ensuring that the adapter aligns with the mirror (finish), (figure 08).
2. - Ensure the cables are connected properly: Green represents the grounding, darker shades indicate the Phase, and lighter shades signify the neutral. It is advisable to have the installation performed by a qualified professional. Note: SECCARE disclaims any responsibility for the installation.
3. – Orientation for the placement of the components, (figure 09).

DiBase Model

To set up this model, just position it on a counter and connect it to a nearby power outlet (Figure 11).

Articulated Nobile Design

Following the installation as outlined in table B, you are able to rotate the upper and lower sections independently.

180° (Figure 13).

To ensure a longer lifespan of the towel rail, it is advisable to turn it on regularly; the more frequently it is used, the longer it will last. Additionally, avoid allowing moisture, water, or dirt to build up on the towel rail, as this may affect the quality of the paint and stainless steel. Clean it regularly using only a dry cloth or a cloth slightly dampened with alcohol (Note: GOLD finishes should not be cleaned with alcohol).

For any inquiries or issues regarding the installation, please reach out to us through our website www.seccare.com.br, email atendimento@seccare.com.br, phone (51) 3762.3266, or WhatsApp (51) 9 8162 8918.

Never alter the resistor in any manner. Should you wish to modify the standard configuration of the product, please reach out to the Factory directly. Otherwise, the Manufacturer is not liable for any damages, including the loss of the product warranty. If the power cord is damaged, it must be replaced by the manufacturer, an authorized agent, or a qualified individual to mitigate risks.

Tips

- Seccare Towel Rails are designed to dry and warm face towels, bath towels, dishcloths, baby and children's garments, as well as blankets and throws (excluding those made from synthetic nylon materials);
- To optimize the use of your towel racks, it is advisable to position the towel between the bars, as illustrated in (figure 10);
- The more contact there is between the towel and the towel rail bars, the more effective it is at drying the fabric.
- When not in use, they function as a towel rack with a high-quality standard and excellent finish;
- The towel rail reaches a temperature in 15 to 45 minutes, varying by model. (The drying of the towels is influenced by their moisture content).

Important

This appliance is not designed for use by individuals (including children) with diminished physical, sensory, or mental abilities, or by those who lack experience and knowledge, unless they have received guidance on the appliance's use or are under the supervision of a responsible individual ensuring their safety.

It is advisable for children to be monitored to prevent them from playing with the appliance.

This device is solely designed for drying fabrics that have been washed in water.

The GOLD finishes feature a delicate paint application, making it crucial to exercise special care during the installation of the clips to prevent damage to your towel rack. When installing the supports, ensure they are opened wide, as illustrated in figure 03, and avoid dragging the tube to prevent scratching the paint during installation. It is important to note that GOLD paint finishes should not be cleaned with alcohol.

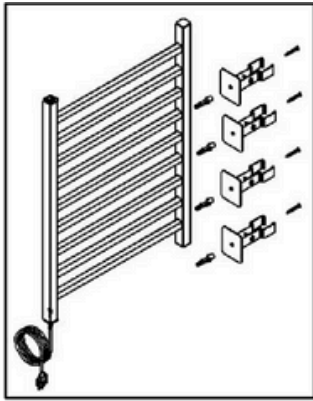


Figure 1

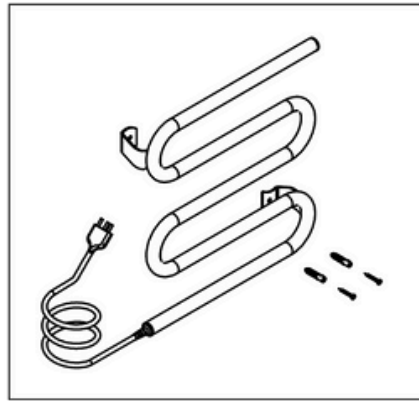


Figure 2

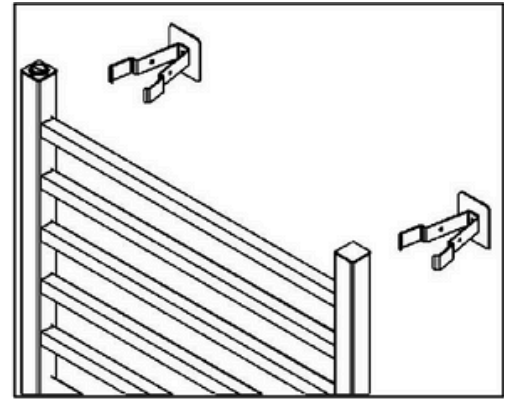


Figure 3

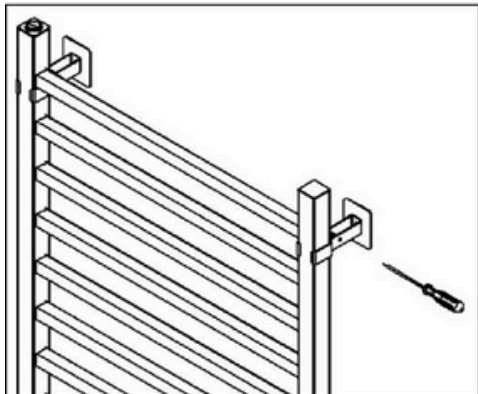


Figure 4

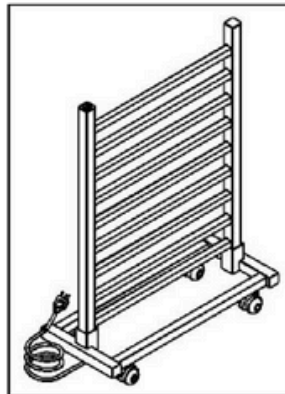
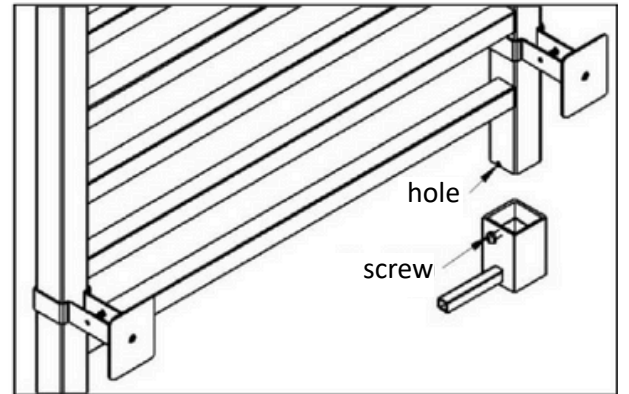


Figure 5



INCLUDE Shoemaker 2 pairs installation illustrations and text

| Table B | | | |
|--------------------|------|------|------|
| | A mm | B mm | C mm |
| Compacto | 223 | 15 | 29 |
| Nobile | 548 | 15 | 29 |
| Nobile Articulated | 724 | 15 | 29 |

Diagram illustrating the dimensions A, B, and C for the lighting fixture. Dimension A is the vertical distance between the two horizontal bars. Dimension B is the horizontal distance between the two vertical supports. Dimension C is the vertical distance from the horizontal bars to the wall brackets. The wall brackets are shown as circles with an arrow pointing to them.

| Table C | | |
|-----------|------|------|
| | A mm | B mm |
| Bello | 305 | 280 |
| Soluzione | 507 | 284 |

Diagram illustrating the dimensions A and B for the lighting fixture. Dimension A is the horizontal distance between the two vertical supports. Dimension B is the vertical distance between the two horizontal bars. The wall brackets are shown as circles with an arrow pointing to them.

WARRANTY DOCUMENT

The manufacturer's liability excludes coverage for damage to the product caused by:

- Operation not in compliance with the conditions outlined in the Installation Manual;
- Improper installation or failure to operate can occur due to several factors, such as insufficient voltage or an incorrectly positioned towel rail (with the cable oriented upwards). Additionally, issues may arise from damage to the electrical cable or the need to replace the plug, removal of the ground wire pin, or disconnection of the electrical cable from the towel rail or the on/off switch due to mishandling. Furthermore, burning of the electrical cable may result from a short circuit, lightning strike, or electrical supply issues. (This does not pertain to the Heating Radiator).
- Inadequate or improper transportation or storage;
- Injuries resulting from accidents or falls;
- Modifications not approved by the manufacturer;
- Maintenance services conducted by unapproved individuals or organizations;
- Utilization of non-genuine accessories or components;
- Installation in an unsuitable location, such as inside the shower cubicle.
- Models equipped with the adapter accessory may encounter issues that necessitate its removal for maintenance or replacement. In the event of damage to the wall finish, Seccare will not be liable for repairs; their responsibility is limited to the repair or replacement of the towel rail that exhibited a defect.
- Seccare shall not be held liable for any damage that occurs at the site where the towel rail is installed.
- In the Dibase model, Seccare is not accountable for the removal of the silicone supports (feet);

2 – GUARANTEE DURATION

According to article 26, II of law 8.078/90 (Consumer Protection Code), the period for reporting apparent or easily identifiable defects is 90 (ninety) days. In addition to the warranty mandated by law, SECCARE, recognizing the quality and safety of its products, EXTENDS THE LEGAL WARRANTY by providing an additional 33 (thirty-three) months to the aforementioned period. Consequently, the total duration of this warranty is 36 (thirty-six) months, equivalent to 3 (three) years from the date of issuance of the Towel Rail purchase invoice.

3 – INVALIDITY/LOSS OF WARRANT

- As a result of the standard stipulation of the WARRANTY PERIOD;
- Dispute regarding the contents of chapter 1 – GENERAL WARRANTY CONDITIONS

No distributor, reseller, retailer, or individual is authorized to extend or modify the warranty provided by the manufacturer.

If you experience any issues with the product, within the conditions of this warranty, please reach out to the manufacturer using the addresses and phone numbers provided below.

Retain the Sales Invoice along with this certificate. These documents are crucial for warranty service.

NAME: _____

–

ACQUISITION DATE: _____

MODEL: _____

INVOICE
NUMBER: _____

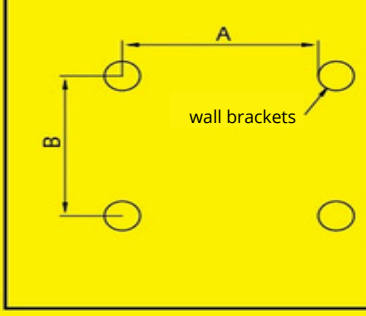
DEALER/STOREKEEPER: _____

Rua Dez, 43 – Centro Administrativo Neighborhood – ZIP Code 95890-000 – Teutônia – RS – Brasil

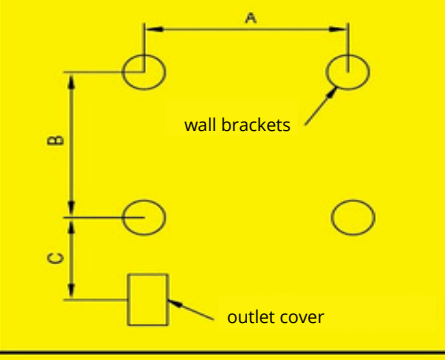
Phone : (0055) 51-3762-3266 – e- mail seccare@seccare.com.br e atendimento@seccare.com.br – site www.seccare.com.br

Customer Service – sac@seccare.com.br – phone: (55) 51- 9 8162 8918

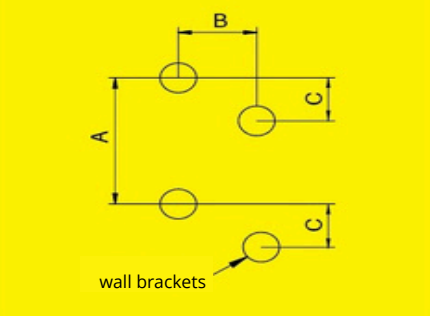
| Table A | | |
|-------------------|------|------|
| | A mm | B mm |
| Capriccio | 480 | 565 |
| Concetto | 870 | 475 |
| Famiglia | | |
| Decorato | 515 | 280 |
| Delicatto | 515 | 295 |
| Esatto | | |
| Piazza | 515 | 615 |
| Dritto Bivolt | | |
| Versatile | | |
| Exuberance | | |
| Ondata | 515 | 565 |
| Requinte | | |
| Hotel | | |
| Raffinato | 480 | 210 |
| Quadratto | 515 | 590 |
| Quadratto Piccoli | 320 | 590 |
| Sapateiro 2 prs | 493 | 036 |
| Sapateiro 4 prs | 515 | 385 |
| Sapateiro 6 prs | 515 | 550 |
| Sottile | 470 | 565 |



| Table A for adapter | | | |
|---------------------|------|------|------|
| | A mm | B mm | C mm |
| Capriccio | 480 | 491 | 150 |
| Concetto | 870 | 415 | 135 |
| Decorato | 515 | 210 | 137 |
| Delicatto | 515 | 225 | 135 |
| Esatto | | | |
| Versatile | 515 | 565 | 123 |
| Exuberance | | | |
| Ondata | 515 | 492 | 148 |
| Famiglia | 870 | 415 | 130 |
| Hotel | | | |
| Raffinato | 480 | 140 | 134 |
| Piazza | 515 | 501 | 170 |
| Dritto Bivolt | 515 | 501 | 170 |
| Quadratto | 515 | 516 | 154 |
| Quadratto Piccoli | 320 | 516 | 154 |
| Requinte | 515 | 492 | 147 |
| Sottile | 470 | 495 | 145 |



| Table B | | | |
|-------------------|------|------|------|
| | A mm | B mm | C mm |
| Compacto | 223 | 15 | 29 |
| Nobile | 548 | 15 | 29 |
| Nobile Articulado | 724 | 15 | 29 |



| Tabela C | | |
|-----------|------|------|
| | A mm | B mm |
| Bello | 305 | 280 |
| Soluzione | 507 | 284 |

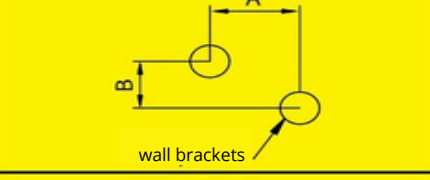


Table A

| | A mm | B mm |
|-------------------|------|------|
| Capriccio | 480 | 565 |
| Concetto | 870 | 475 |
| Famiglia | | |
| Decorato | 515 | 280 |
| Delicatto | 515 | 295 |
| Esatto | 515 | 615 |
| Piazza | | |
| Versatile | | |
| Exuberance | 515 | 565 |
| Ondata | | |
| Requinte | | |
| Hotel | 480 | 210 |
| Raffinato | | |
| Quadratto | 515 | 590 |
| Quadratto Piccoli | 320 | 590 |

| | | |
|-----------------|-----|-----|
| Sapateiro 2 prs | 493 | 036 |
| Sapateiro 4 prs | 515 | 385 |
| Sapateiro 6 prs | 515 | 550 |
| Sottile | 470 | 565 |

Table A for adapter

| | A mm | B mm | C mm |
|--------------------------|------------|------------|------------|
| Capriccio | 480 | 491 | 150 |
| Concetto | 870 | 415 | 135 |
| Decorato | 515 | 210 | 137 |
| Delicatto | 515 | 225 | 135 |
| Esatto | 515 | 565 | 123 |
| Versatile | | | |
| Exuberance | 515 | 492 | 148 |
| Ondata | | | |
| Famiglia | 870 | 415 | 130 |
| Hotel | 480 | 140 | 134 |
| Raffinato | | | |
| Piazza | 515 | 501 | 170 |
| Quadratto | 515 | 516 | 154 |
| Quadratto Piccoli | 320 | 516 | 154 |
| Requinte | 515 | 492 | 147 |

| | | | |
|---------|-----|-----|-----|
| Sottile | 470 | 495 | 145 |
|---------|-----|-----|-----|